



DDNG-BACnet

BACnet Network Gateway

High level BACnet network integration

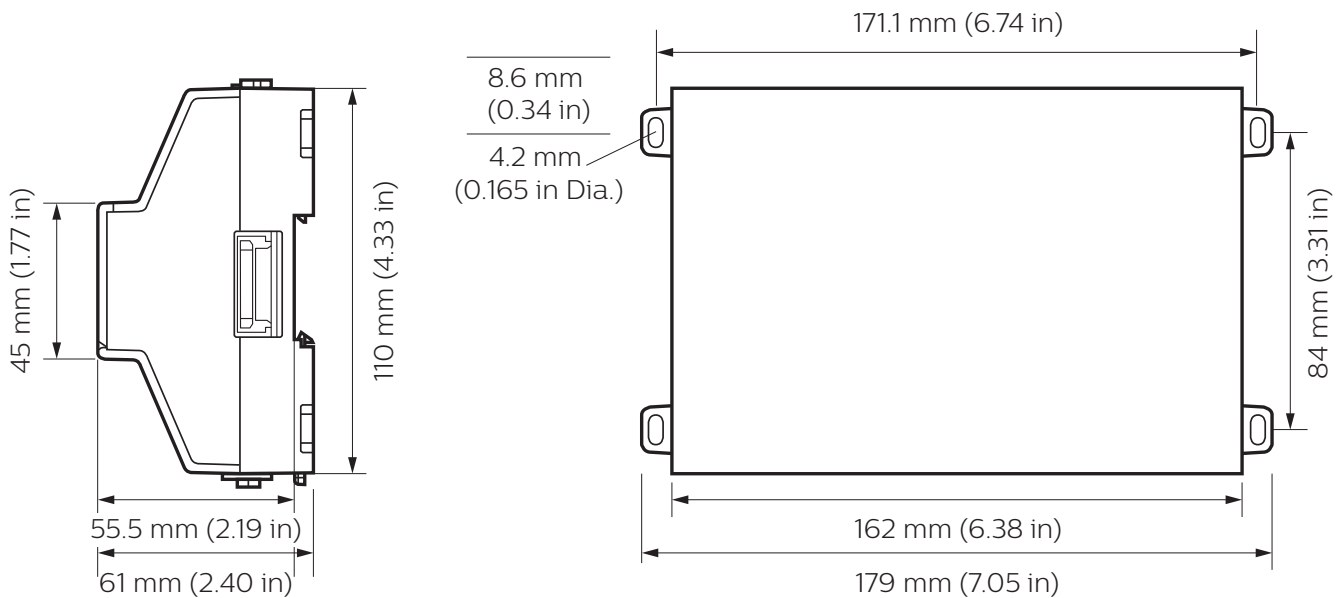
The Philips Dynalite DDNG-BACnet enables high level integration between a Philips Dynalite system and any building management system (BMS) that uses the BACnet protocol.

DDNG-BACnet

High level BACnet network integration

- **Direct control of lighting system** – Permits direct control of the lighting system via the building's BMS network.
- **Interrogation ability** – Allows interrogation of any area within the network for feedback of current lighting status.
- **Scalable functionality** – Provides solutions suitable for both small and large scale installations.

Dimensions



Specifications

Due to continuous improvements and innovations, specifications may change without notice.



DDNG-BACnet
BACnet Network Gateway

Electrical

| | |
|----------------|---|
| Supply Type | AC/DC Class 2 external supply (not included) |
| Supply Voltage | 24 VAC/VDC |
| Supply Current | 1 A |

Control

| | |
|---------------------|---|
| Serial Ports | 2 x RS-485 1 x USB 2.0 Type A 1 x USB micro-A |
| Communication Ports | 2 x Ethernet (10/100 baseT) |
| Supported Protocols | DyNet BACnet IPv4 |
| User Input | 1 x USB backup/recovery button 1 x shutdown button 2 x RS-485 bias switches |
| Indicators | 2 x RS-485 Tx/Rx LED (RS485-A/B) 1 x power LED (STAT) 1 x heartbeat LED (BEAT) 2 x Ethernet link/activity LED(LAN1/2) 1 x backup LED (BACKUP) |

Physical

| | |
|--|---|
| Dimensions (H x W x D) | 110 x 179 x 61 mm (4.33 x 7.05 x 2.40 in) |
| Packed Weight | 0.61 kg (1.34 lb) |
| Construction | Low profile DIN rail polycarbonate (10 unit) |
| Serial Ports | 2 x 3-way pluggable screw terminal |
| Serial Port Conductor Size | 2.5 mm ² (#12 AWG) (max) |
| Communication Ports | 2 x RJ45 |
| Supply Terminals | 1 x 2-way pluggable screw terminal 1 x earth spade lug (connector supplied) 1 x barrel connector jack |
| Supply Terminal Conductor Size | 2.5 mm ² (#12 AWG) (max) |
| Barrel Connector Plug size (L x OD x ID) | 9.5 x 5.5 x 2.1 mm (0.37 x 0.22 x 0.83 in) |

Environment

| | |
|-------------------------------|--------------------------------------|
| Operating Temperature | -20° to 60°C ambient (-4° to 140°F) |
| Storage/Transport Temperature | -40° to 85°C ambient (-40° to 185°F) |
| Humidity | 5 to 95% non-condensing |
| IEC Pollution Degree | III |

Compliance

| | |
|---------------|--|
| Certification | CE, RCM, UL/cUL, FCC, ICES, UKCA, RoHS |
|---------------|--|



Ordering Code

Product

DDNG-BACnet (N4 Platform, 25 Devices / 1250 Points)

Philips 12NC

913703247009

Accessories

BACNET-DRIVER

(License to enable DyNet driver on compatible Tridium JACE devices)

913703097109



© 2021 Signify Holding. All rights reserved. Specifications are subject to change without notice. No representation or warranty as to the accuracy or completeness of the information included herein is given and any liability for any action in reliance thereon is disclaimed. Philips and the Philips Shield Emblem are registered trademarks of Koninklijke Philips N.V. All other trademarks are owned by Signify Holding or their respective owners.