

A low-angle, upward-looking photograph of several modern skyscrapers with glass facades. The buildings are set against a pale, overcast sky. A prominent red banner with a white border is overlaid across the middle of the image, containing the text 'DDC-8446 Series'. The bottom portion of the image shows a dark, metallic structure, possibly a walkway or part of a building's infrastructure, with some railings and a ladder visible.

DDC-8446 Series

DDC-8446 Series overview



DDC-8446



IO-0800
Expansion IO Module



IO-6020
Expansion IO Module



GW-112
Enhanced IP Module



IO-8446
Expansion IO Module

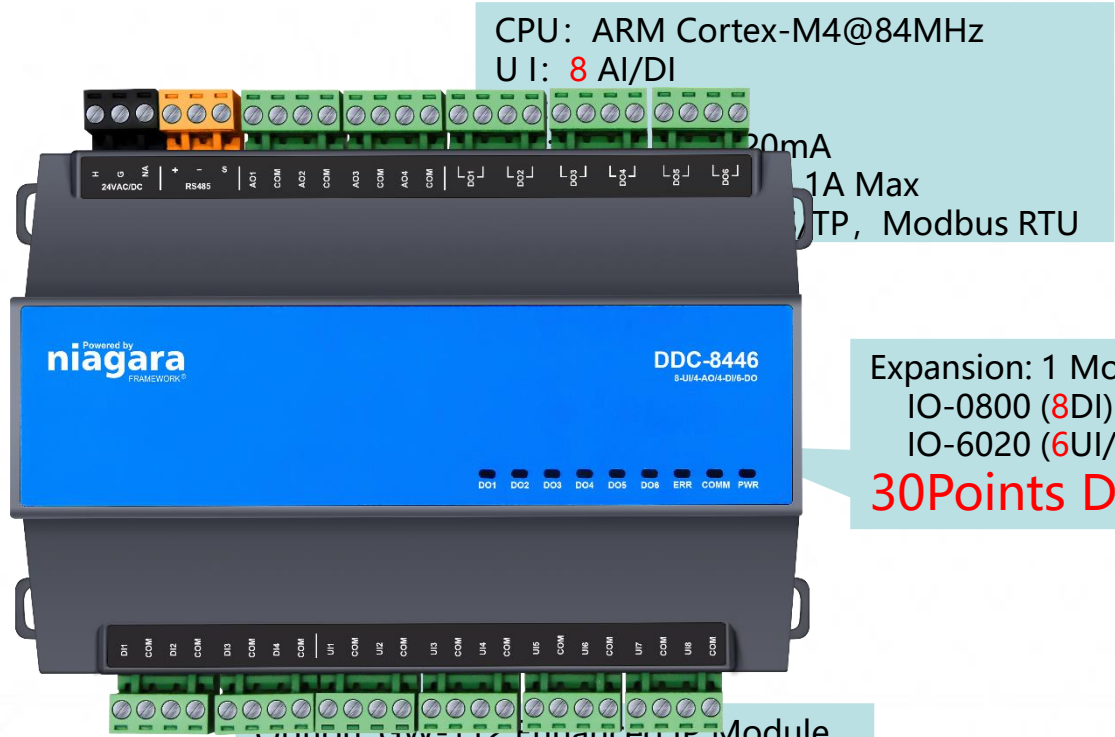


IO-0800-485
Remote IO Module



IO-6020-485
Remote IO Module

DDC-8446



CPU: ARM Cortex-M4@84MHz
U I: 8 AI/DI
20mA
1A Max
Modbus RTU

Expansion: 1 Module
IO-0800 (8DI)
IO-6020 (6UI/2AO)
30Points DDC

Option: GW-112 Enhanced IP Module
BACnet IP/Modbus TCP
22/30 Points IP DDC

GW-112 Modbus Master

Up to **110 Points IP DDC**

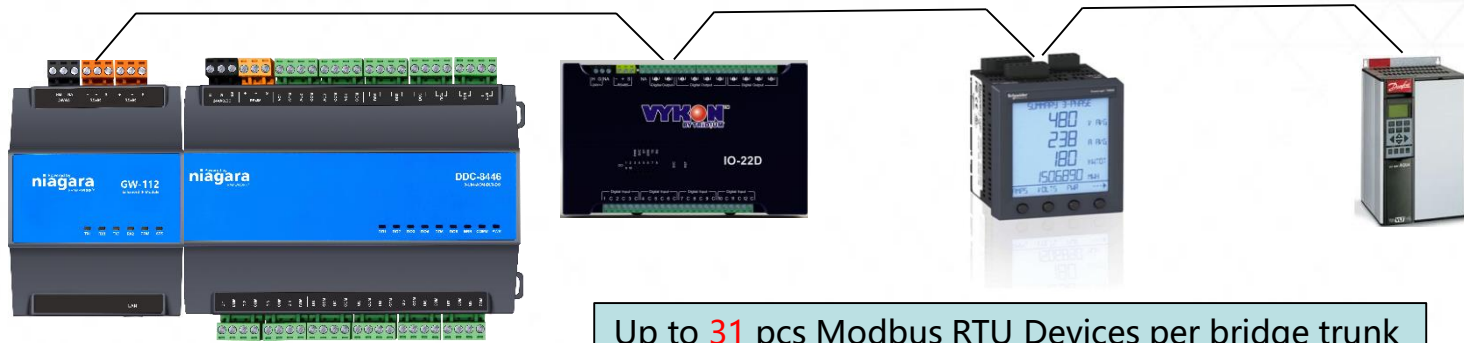
DDC-8446/IO-0800-485/IO-6020-485



CPU: MT7628AN@580MHz
RAM:128MB
Flash:32MB
RJ45:1
RS485:1 BACnet IP, Modbus TCP

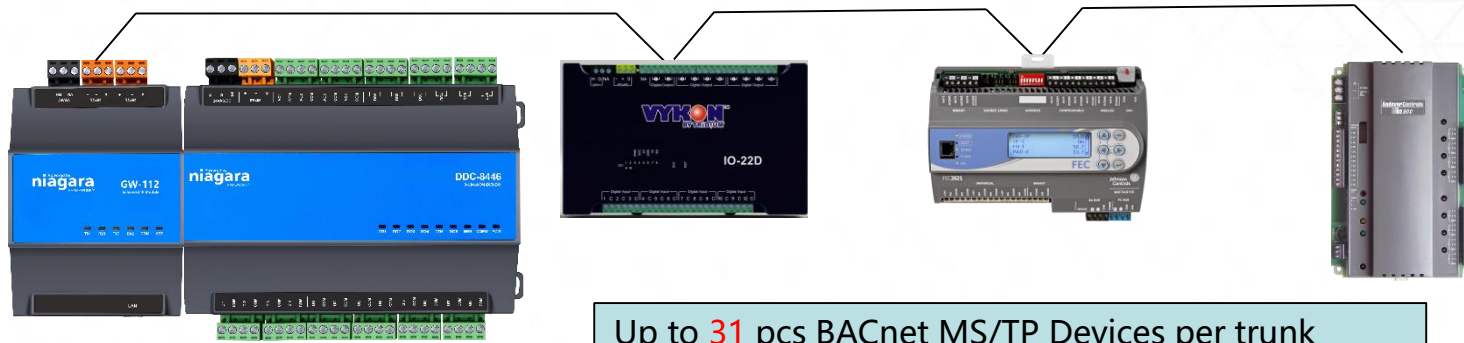
Up to **4pcs 8446 series** modules per master trunk

GW-112 Modbus Bridge



Up to 31 pcs Modbus RTU Devices per bridge trunk

GW-112 BACnet Router



Up to 31 pcs BACnet MS/TP Devices per trunk

IO-8446 For JACE 8000

U I: 8 AI/DI
D I: 4
AO: 4 0-10V/0-20mA
DO: 6 Dry contact, 1A Max

Up to 4 IO-8446 per JACE8000

Up to 88 Points per set



DDC-8446 VS DDC-22U

AHU-1	Qty	IO			
		AI	BI	AO	DO
Filter status 过滤网状态	1		1		
air supply fan status 送风机状态			1		
air supply fan manual automatic status 送风机手动状态			1		
air supply fan failure alarm 送风机故障报警			1		
air supply fan control 送风机启停控制					1
air exhaust fan status 排风机状态			1		
air exhaust fan manual automatic status 排风机手动状态			1		
air exhaust fan failure alarm 排风机故障报警			1		
air exhaust control 排风机启停控制					1
fresh air damper control 新风阀控制				1	
Mixing damper control 混风阀控制				1	
air supply temperature 送风温度		1			
air supply humidity 送风湿度		1			
air return temperature 回风温度		1			
air return humidity 回风湿度		1			
Chilled water valve control 冷水阀控制				1	
Heated water valve control 冷热水阀控制				1	
humidification valve control 加湿阀控制					1
Subtotal 小计:		4	7	4	3



4-Pipe AHU-1

- AI : 4
- DI : 7
- AO: 4
- DO: 3

DDC-8446 VS DDC-28U/P

AHU-2	Qty	IO			
		AI	DI	AO	DO
Filter status 过滤网状态	1		1		
air supply fan status 送风机状态			1		
air supply fan manual automatic status 送风机手动状态			1		
air supply fan failure alarm 送风机故障报警			1		
air supply fan control 送风机启停控制					1
air supply fan Frequency control 送风机变频控制				1	
air supply fan Frequency feedback 送风机变频反馈		1			
air exhaust fan status 排风机状态			1		
air exhaust fan manual automatic status 排风机手动状态			1		
air exhaust fan failure alarm 排风机故障报警			1		
air exhaust control 排风机启停控制					1
air exhaust fan Frequency control 排风机变频控制				1	
air exhaust fan Frequency feedback 排风机变频反馈		1			
fresh air damper control 新风阀控制				1	
Mixing damper control 混风阀控制				1	
air supply temperature 送风温度		1			
air supply humidity 送风湿度		1			
air return temperature 回风温度		1			
air return humidity 回风湿度		1			
Chilled water valve control 冷水阀控制				1	
Heated water valve control 热水阀控制				1	
humidification valve control 加湿阀控制					1
Subtotal 小计:		6	7	6	3



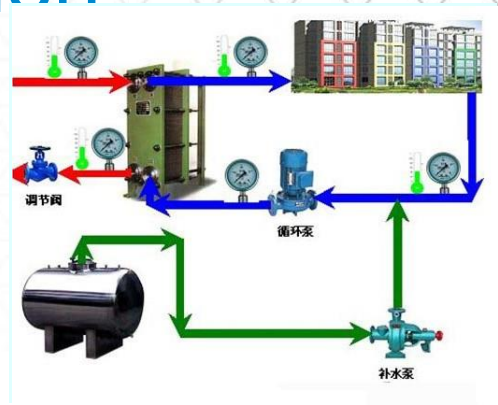
4-Pipe AHU-2

- AI : 6
- DI : 7
- AO: 6
- DO: 3

DDC-8446 In Heat Exchange Station

Total 71 Points

Heat Exchange Station	Qty	IO			
		AI	DI	AO	DO
Heat Exchanger Unit 换热机组	3	14	21	3	6
Circulation Pump 循环泵	4		12	0	4
Soft Water Tank 软水箱	1	1			
Make-up Water Pump 补水泵	2		6	2	2
Subtotal 小计:		15	39	5	12



- AI : 15
- DI : 39
- AO : 5
- DO : 12

GW-112 : 1Pcs

• UI : 32

DDC-8446 : 4Pcs

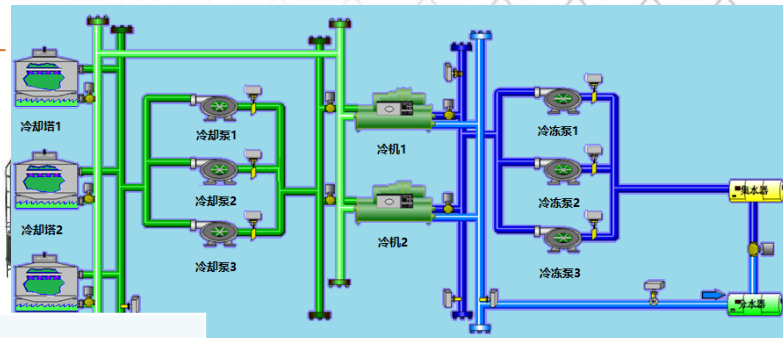
• DI : 24

IO-0800-485: 1Pcs

• AO: 16

• DO: 24

DDC-8446 In Chiller Plant



Chiller Plant	Qty	IO			
		AI	DI	AO	DO
chiller 冷水机组	2	12	4		
Circulation Pump 循环泵	6	3	18	3	6
Mainfold and Collector System 分集水系统		8		1	
Subtotal 小计:		23	22	4	6
Cooling Tower 冷却塔		2	40		24
Subtotal 小计:		2	40	0	24

- AI : 23
- DI : 22
- AO: 4
- DO: 6
- +
- AI : 2
- DI : 40
- AO: 0
- DO: 24

JACE8000 : 1Pcs

IO-8446 : 4Pcs

GW-112 : 1Pcs

DDC-8446 : 4Pcs

A woman in a business suit is looking at a laptop in a control room. The room is filled with multiple monitors displaying various data charts and graphs. The entire scene is overlaid with a blue grid pattern.

THANK YOU

TRIDIUM 